

# Technical data sheet

Product features



## Chilled display unit GN 5-1/1 drop-in, opening to the sides

<b>Model</b>	<b>SAP Code</b>	00012082
--------------	-----------------	----------



- Buffet type: PLATINUM - dynamically cooled showcase
- Device properties: Chilled
- Number of GN / EN: 5
- GN / EN size in device: GN 1/1
- GN device depth: 200
- Minimum device temperature [°C]: 4
- Maximum device temperature [°C]: 8
- Opening of device: Sliding to the sides

<b>SAP Code</b>	00012082	<b>Loading</b>	230 V / 1N - 50 Hz
<b>Net Width [mm]</b>	1819	<b>Number of GN / EN</b>	5
<b>Net Depth [mm]</b>	760	<b>GN / EN size in device</b>	GN 1/1
<b>Net Height [mm]</b>	1210	<b>GN device depth</b>	200
<b>Net Weight [kg]</b>	157.00	<b>Minimum device temperature [°C]</b>	4
<b>Power electric [kW]</b>	0.494	<b>Maximum device temperature [°C]</b>	8

# Technical data sheet

Technical drawing



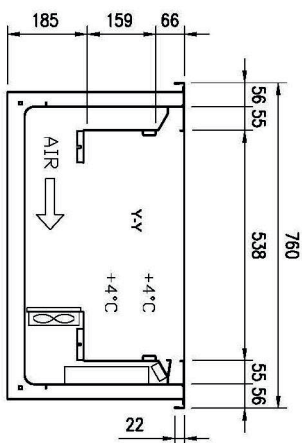
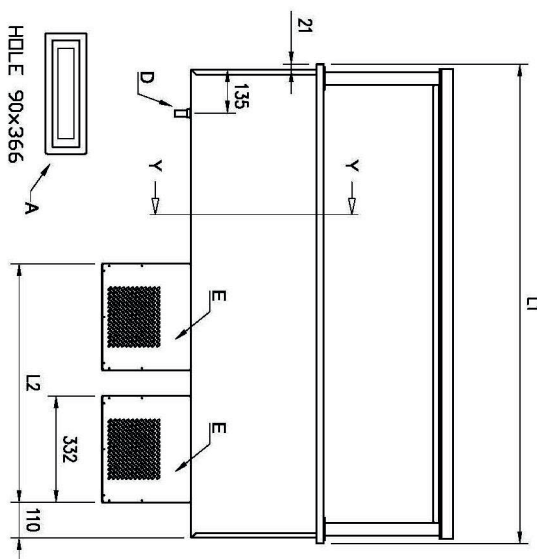
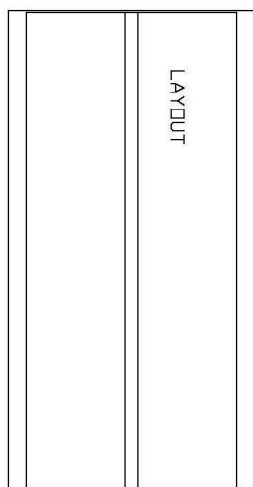
## Chilled display unit GN 5-1/1 drop-in, opening to the sides

Model

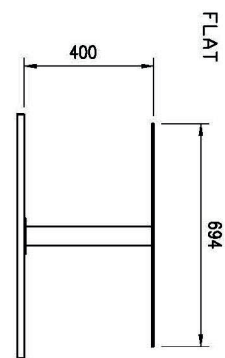
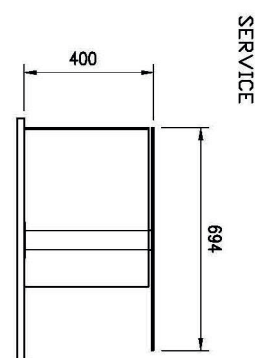
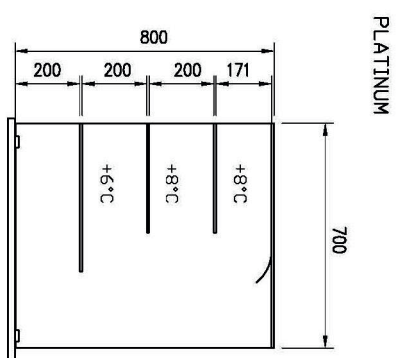
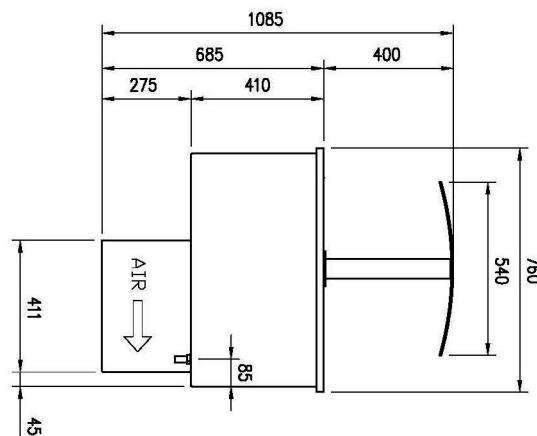
SAP Code

00012082

A= ELECTRICAL CONNECTION  
 D= WATER DISCHARGE Ø16  
 E= GAS CONNECTION Ø8 Ø10  
 F= WATER BOX



GN	L1	L2	HOLE
4/1	1494	744	1460x726
5/1	1819	744	1785x726
6/1	2144	1069	2110x726



# Technical data sheet

## Product benefits



### Chilled display unit GN 5-1/1 drop-in, opening to the sides

Model	SAP Code	00012082
-------	----------	----------

1

#### **Dynamic cooling**

- constant temperature in all places of the refrigerated space
- greater hygienic safety of chilled food

2

#### **LED lighting**

- minimal energy consumption
- economical lighting
  - attractive appearance

3

#### **Surface height regulation**

- a large range of the height of the bottom surface of the display case
- greater variability of product storage
  - space saving

4

#### **Back attendant**

- service and delivery on different sides
- possibility to refill products at any time during operation

5

#### **Built-in**

- the possibility to plant in a dispensing block design
- unified design of the dispensing line
  - a luxurious look that customers appreciate

# Technical data sheet

Technical parameters



## Chilled display unit GN 5-1/1 drop-in, opening to the sides

**Model**

**SAP Code**

00012082

**1. SAP Code:**

00012082

**2. Net Width [mm]:**

1819

**3. Net Depth [mm]:**

760

**4. Net Height [mm]:**

1210

**5. Net Weight [kg]:**

157.00

**6. Gross Width [mm]:**

1883

**7. Gross depth [mm]:**

860

**8. Gross Height [mm]:**

1830

**9. Gross Weight [kg]:**

166.00

**10. Device type:**

Electric unit

**11. Buffet type:**

PLATINUM - dynamically cooled showcase

**12. Device properties:**

Chilled

**13. Exterior color of the device:**

Stainless steel

**14. Power electric [kW]:**

0.494

**15. Loading:**

230 V / 1N - 50 Hz

**16. Number of GN / EN:**

5

**17. GN / EN size in device:**

GN 1/1

**18. GN device depth:**

200

**19. Minimum device temperature [°C]:**

4

**20. Maximum device temperature [°C]:**

8

**21. Opening of device:**

Sliding to the sides

**22. Interior lighting:**

No

**23. Cross-section of conductors CU [mm<sup>2</sup>]:**

0,5

- Výkon (kW): 2,4-3,3 (230 V)

**24. Refrigerant:**

R290